

深圳市方磁電子有限公司
SHENZHEN FOUNDS ELECTRONICS CO., LTD

【物料承認書】

APPROVAL SHEET

客戶 (Customer) : _____

產品名稱 (Description) : **Molding Power Inductor**

客戶料號 (Cus P/N) : _____

料號 (Part NO) : **PSM0420B Series**

日期 (Date) : **2019/03/21**

版本 (Version) : **A1.0**

核准 APPROVED BY	審核 CHECKED BY	製作 DRAWN BY
TopoCheng	VincentShang	AbbyShi

Please sign back after confirmation:

Client signature: Qualified Unqualified

批准 APPROVAL	審核 CHECKED	檢驗 CONFORM

地址 (Address) : 深圳市寶安區新安街道裕安二路

13號C33科創園2棟209室

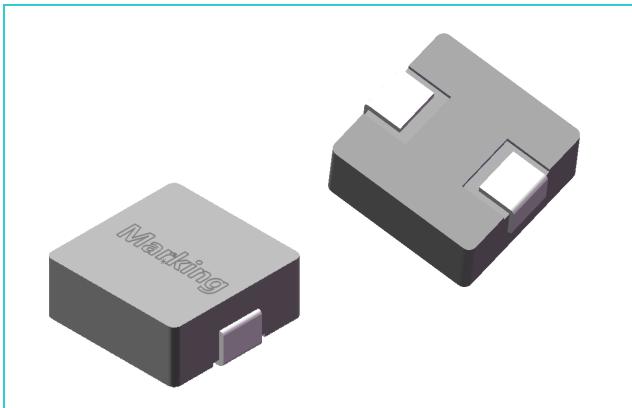
電話 (TEL) : 0755-83222650

傳真 (FAX) : 0755-83222656

<http://www.ele-founds.com>

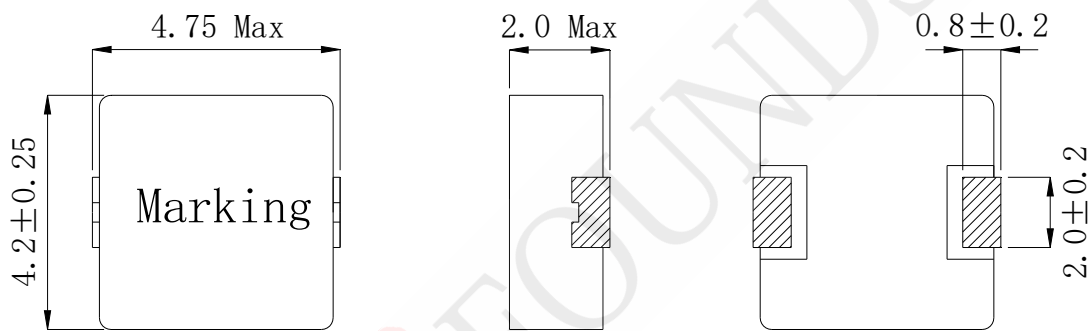


Molding Inductor PSM0420B Series

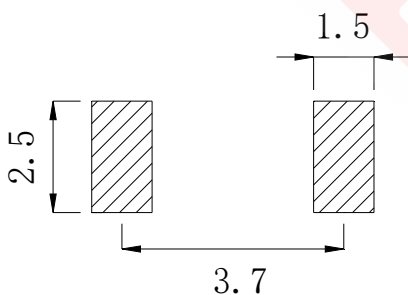


- ◆ The use of magnetic iron powder ensure capability for large current
- ◆ Low loss, high efficiency, wide application frequency
- ◆ The DC impedance of the same size is the lowest
- ◆ Magnetically shielded, low audible core noise
- ◆ Lightweight design, save space, suitable for high density SMT
- ◆ Operating temperature: -40~+125°C

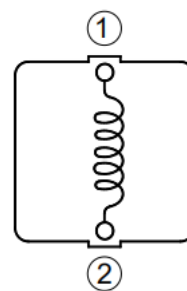
一. Appearance and dimensions (Unit:mm)



二. Recommended land pattern (Unit:mm)



三. Schematic



Molding Inductor PSM0420B Series

四. Electrical characteristics

Part No.	Inductance (μH) $\pm 20\%$	DCR ($\text{m}\Omega$) Max	Isat (A) Max	Irms (A) Max.
PSM0420BR47M	0.47	6.5	14.0	13.2
PSM0420B1R0M	1.0	17.0	8.0	5.5
PSM0420B1R5M	1.5	38.5	6.0	4.0
PSM0420B4R7M	4.7	85.0	4.0	2.5

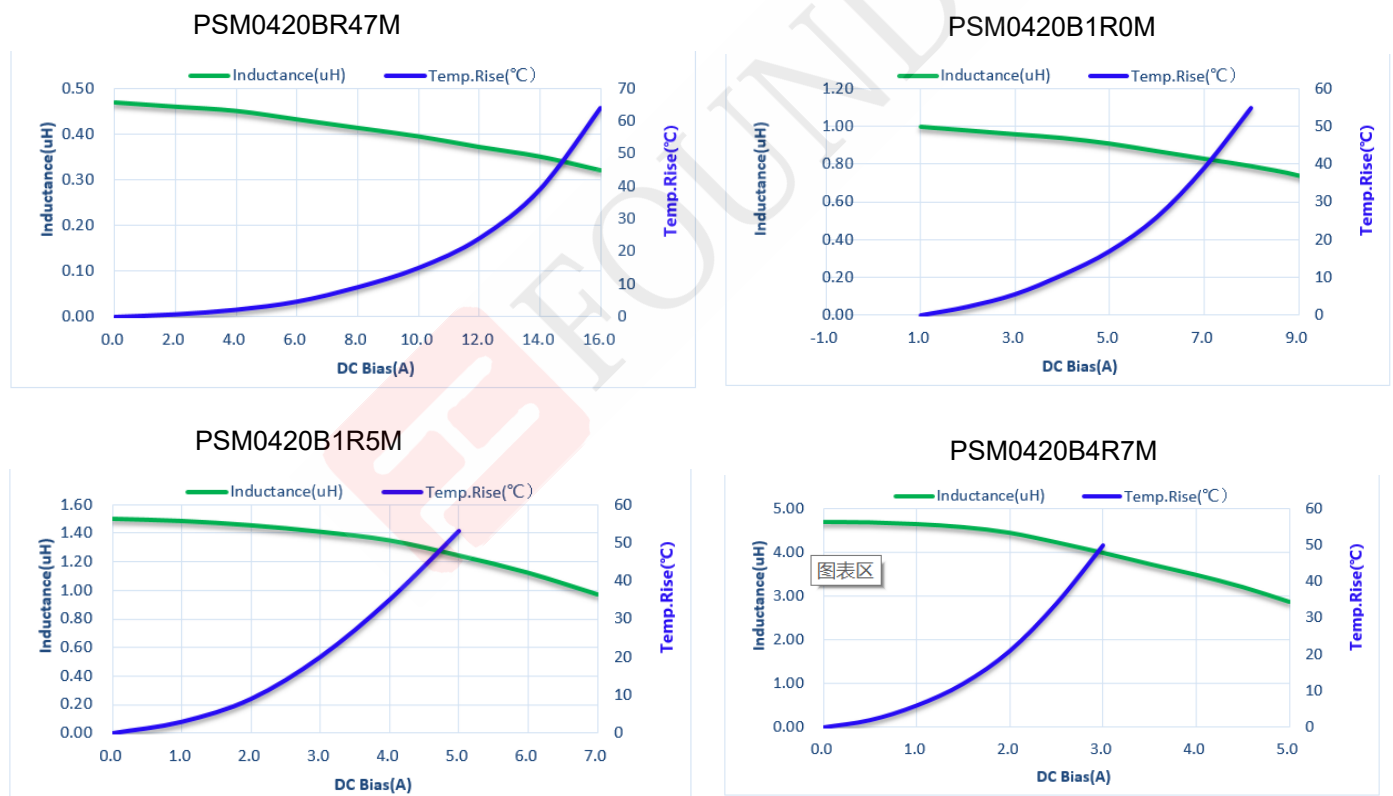
1. All test data is referenced to 25°C ambient

2. Inductance measure condition at 100kHz, 1V.

3. Isat: the actual value of DC current when the inductance decrease 30% of its initial value.

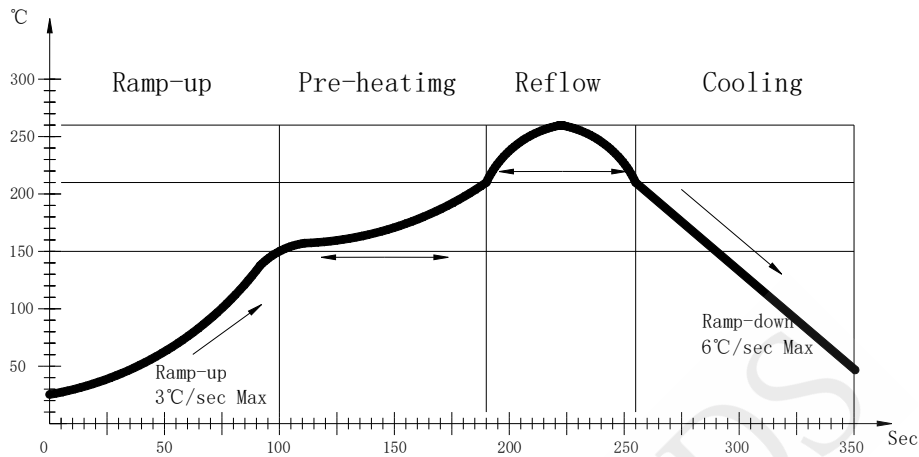
4. Irms: Temperature rise current the actual value of DC current when the temperature rise is $\Delta T40$ ($T_a=25$).

五. Typical Performance Curves



Molding Inductor PSM0420B Series

六. Recommended soldering conditions



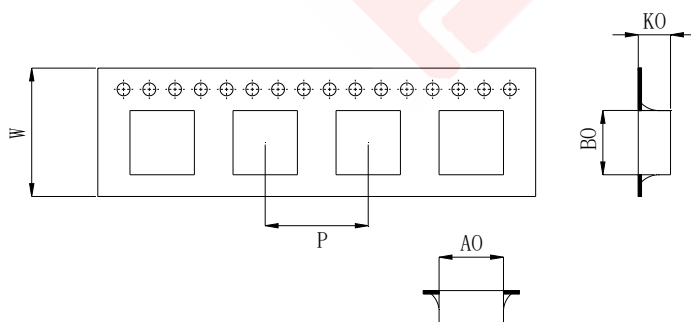
Lead-Free Standard temperature range analysis

Refer to J-STD-020C

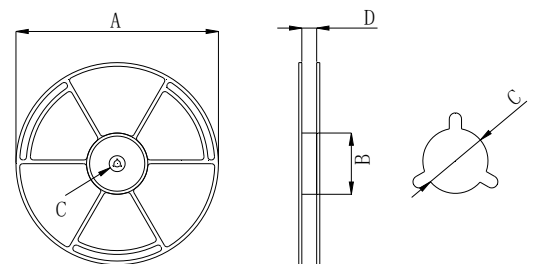
Item	Ramp-up	Pre-heating	Reflow	Peak Temp
Temp.scope	R.T~150°C	150°C~200°C	217°C	260±5°C
Time spec	-	60~80sec	60~150sec	20~40sec
Time result	-	75~100sec	90~120sec	20~35sec

七. Packaging Specifications

Tape Dimensions



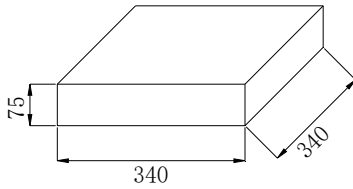
Reel Dimensions



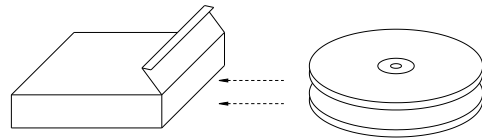
Founds Part No.	Tape Dimensions (mm)					Reel Dimensions (mm)				Quantity PCS/REEL
	A0	B0	K0	P	W	A	B	C	D	
PSM0420B Series	4.5	5.1	2.2	8	12	330	100	13	12.5	3000

Molding Inductor PSM0420B Series

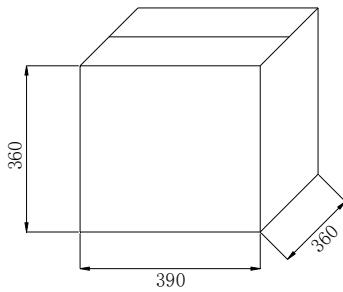
Inner box



2 Reel/Inner box ,Total 6000pcs/Inner box



Outer box



5 Inner box/Outer box ,Total 30000pcs/Outer box

